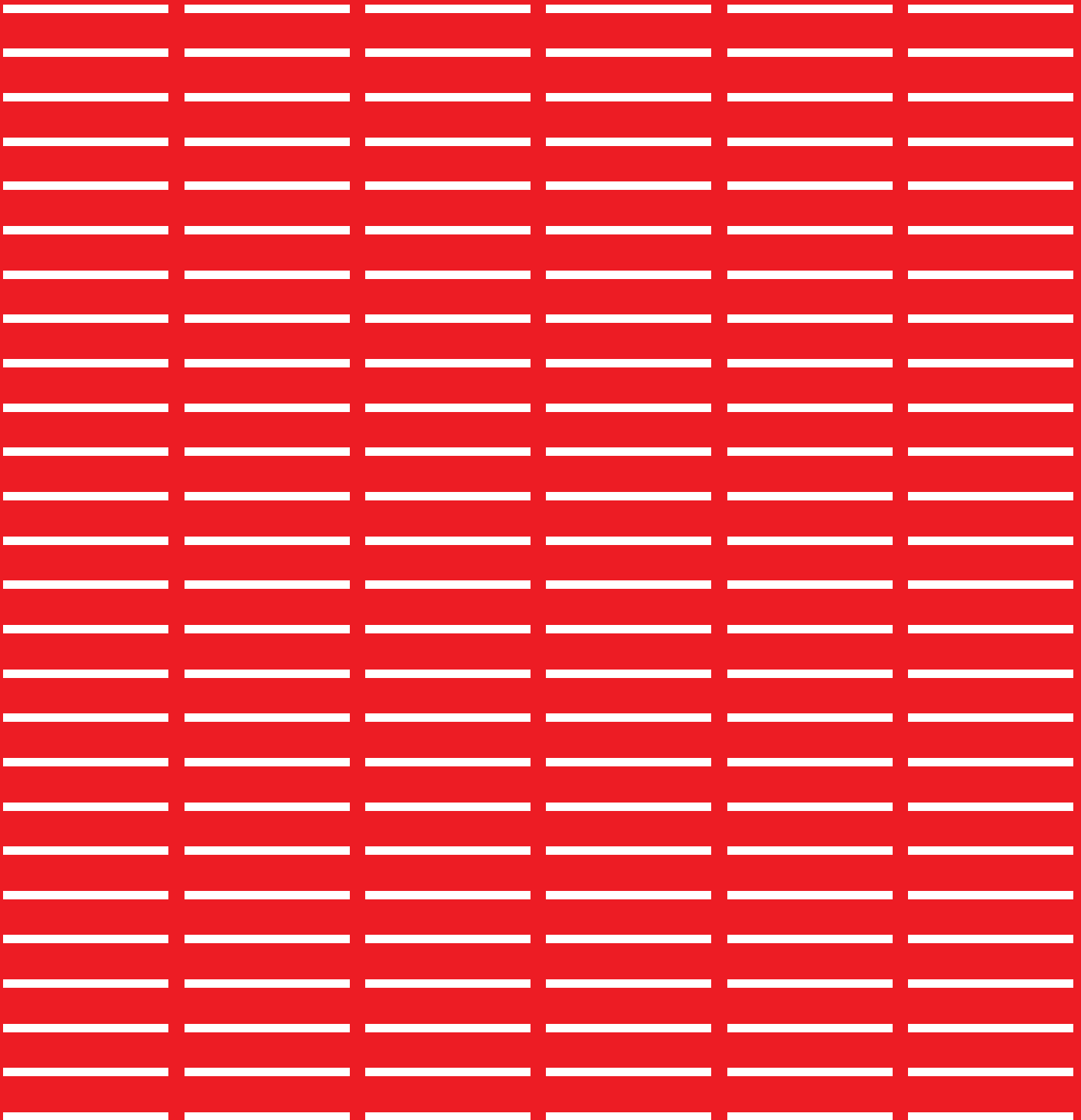


Forum™



The compact nature and exceptional comfort of the Forum range has seen it used extensively in auditoriums, cinemas, performing arts venues and educational institutions. Available as both a fixed seat and a tilt seat, Forum offers two back height options and numerous arm alternatives including writing tablets.

Robotically welded internal steel frames give Forum a robust structure while the individually moulded high resilient polyurethane provides long term comfort and resilience.

The Forum Tilt seat pedestal version is ideal for tight radius rows, and with varying seat centres they ensure perfect aisle alignment.

All Camatic Seating products are designed, developed and built in-house by a team of professionals renowned for quality, leading edge technology and seamless installations around the world. From the Sydney Opera House to cinemas across the Americas, Camatic Seating puts audiences in designer comfort.

Moulded polyurethane foam

The specifically formulated polyurethane foam used to individually mould seats and backrest cushions provides the perfect balance between support and comfort. Our manufacturing process ensures the foam will not collapse or flatten out at any stage and will provide lasting comfort and ergonomic support.

Gravity tilt seats (Forum Tilt)

Innovative gravity tilt seats using fully enclosed counterweights are silent and reliable – a sensible alternative to high maintenance and unreliable pivot springs.

Removable covers/laminated fabric's

All Forum covers are zip removable for ease of replacement and feature foam backed fabric for stretch control and elimination of seam slippage and sagging.

Variable seat centres on Fixed and Tilt seats

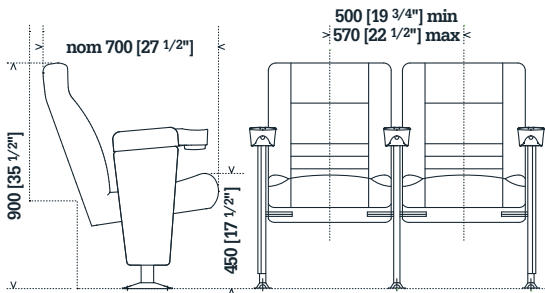
The Forum Fixed with its shared standards can cater for seat centres from 500mm [20"] to 560mm [22"]. The pedestal mounted Forum Tilt can be installed at centres from 510mm [20"] with standard armrests and centres from 540mm [21"] with tablet armrests.

Forum Features	Fixed	Tilt	Tilt/Writing Tablet
Innovative standards cover multiple seat centres	•		
Individual pedestal covers multiple seat centres		•	•
Tread or riser mounting	•	•	•
Gravity tilt seat – silent and reliable, with zero maintenance		•	•
Fully upholstered backrest	•	•	•
Ergonomic profile offers enduring comfort	•	•	•
One piece moulded polyurethane seat and backrest cushion (various widths)	•		
Individually moulded polyurethane seat and backrest cushions		•	•
Foam backed fabric – eliminates sagging and seam slippage	•	•	•
Vertical contour stitching	•	•	•
Zip removable seat and backrest covers	•	•	•
Easy installation with minimal fixings	•	•	•
Options			
Seat numbers	•	•	•
Row end ID plates	•	•	•
Aisle lighting [LED]	•	•	
Armrest upholstered with 44oz cupholder	•	•	
Armrest plastic with 32oz cupholder/removable polyurethane insert	•	•	
Armrest plastic with 32oz cupholder/removable fabric insert	•	•	
Writing tablet fold out from RH armrest [vandal-proof surface]			•
Removable system – single and two seat units	•	•	•

Forum Fixed

Forum Fixed is a compact and extremely comfortable theatre chair offering outstanding value for the budget conscious operator. Venue operators will also appreciate the low maintenance of this popular seating solution.

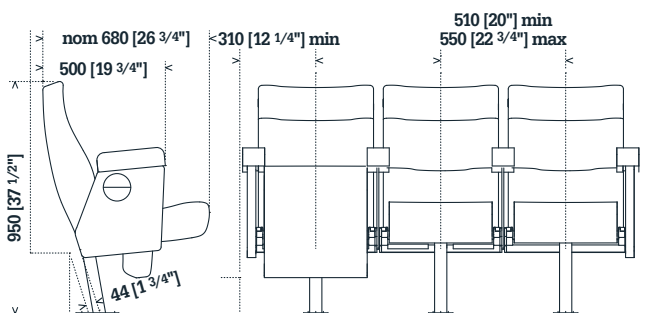
Each seat features individually moulded polyurethane cushions with varying density multi layer foam to incorporate a lumbar support in the rear cushion and to bolster the edge of the seat.



Forum Tilt

Venue operators faced with restrictions of space will find Forum Tilt the perfect solution for their seating requirement.

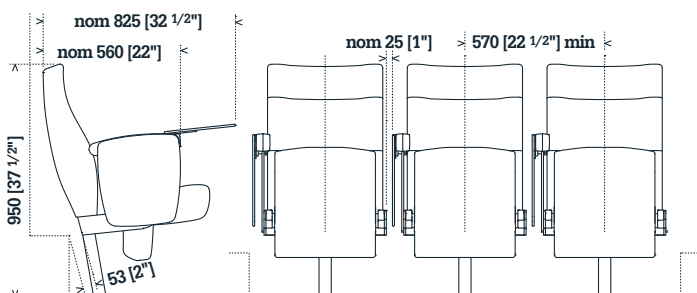
Camatic Seating's signature ergonomic design means patrons will sit comfortably for extended periods of time.



Forum Tilt/Writing Tablet

The addition of the D2 tablet to the Forum Tilt presents a perfect combination of comfort and usability for patrons and low level of maintenance for venue operators.

The pedestal mounted Forum Tilt with a D2 tablet can be installed at various seat centres, with both left and right handed readily available.



Australia

Head Office & Manufacturing
Camatic Pty Ltd
93 Lewis Road
Wantirna South
Victoria 3152 Australia
Telephone: 61 3 9837 7777
Facsimile: 61 3 9837 7700
Email: sales@camatic.com
www.camatic.com

USA

Camatic Seating Inc
1010 West Eules Blvd
Suite 110, Eules
TX 76040 USA
Telephone: 1 682 503 5317
Facsimile: 1 817 633 2190

CAMATIC

Representation

Australasia
South East Asia
North America
Europe
Middle East
CIS